

# PRODUCT SPECIFICATION SHEET



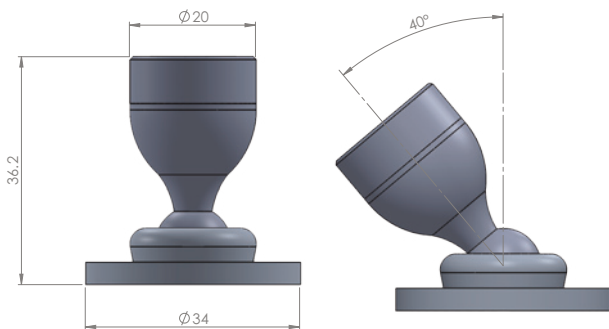
Rev. C1

## LE1 LED Downlight



Surface mount LED downlight fitting with free rotation and tilt. The UFO LE1 fitting features a sleek design and 360° rotation with 40° articulation in the pivot.

Available in a choice of colour temperatures with high colour rendition and a selection of optics, the fitting can be used to provide contemporary, functional lighting in any environment.



### TECHNICAL INFORMATION

|                       |                               |
|-----------------------|-------------------------------|
| Light Source          | LED                           |
| Operating Environment | Indoor                        |
| Material              | Aluminium                     |
| Finishes              | Black or silver               |
| Mounting Method       | Surface mount                 |
| Power Consumption     | 350mA (1W) or 500mA (1.5W)    |
| Voltage               | 3.2V nominal                  |
| Colour Temperatures   | 3000K, 4000K                  |
| Typical CRI Values    | 98CRI (3000K) 95CRI (4000K)   |
| Lumens per Watt       | 3000K - 51lm/W 4000K - 54lm/W |
| Lens Options          | 12° / 22° / 30° / 53°         |
| Articulation          | Tilt: 40° / Rotation: 360°    |

### DRIVER CONTROL OPTIONS (Depending on specified driver)

|               |                              |
|---------------|------------------------------|
| No Dimming    | Local Potentiometer Dimming  |
| 0-10V Dimming | Remote Potentiometer Dimming |

### PRODUCT ORDERING CODES

| MODEL   | OPTICS | COLOUR TEMP | COLOUR    |
|---------|--------|-------------|-----------|
| UFO LE1 | 12° 12 | 3000K 30    | Black BL  |
|         | 22° 22 | 4000K 40    | Silver SV |
|         | 30° 30 |             |           |
|         | 53° 53 |             |           |

UFO LE1 - [ ] - [ ] - [ ]

e.g, UFO LE1-16-30-BL



Universal Fibre Optics Ltd  
Home Place \ Coldstream  
TD12 4DT \ UK  
+44 (0)1890 883416 \ www.ufo.lighting

Universal Fiber Optic Lighting USA, LLC  
1749 Northgate Blvd  
Sarasota \ FL34234 \ USA  
941-343-8115 \ www.fiberopticlighting.com

UFO Licht GmbH  
Andreasstraße 20  
93059 Regensburg \ Deutschland  
+49 (0)9491 955880 \ www.ufo-licht.de