

PRODUCT SPECIFICATION SHEET

UFO 34D Downlight

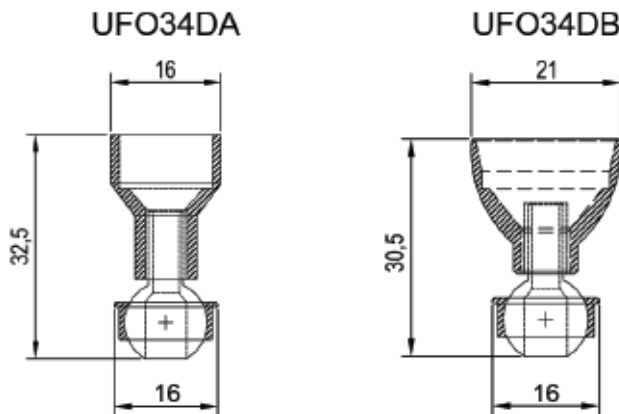


Rev. C1

A mini adjustable downlight fitting with trumpet which is primarily used in our range of light bar systems and mounting extrusions. Available in a range of finishes, this fitting can be rotated and tilted to point directly at any objects to be illuminated. The fitting also allows for the light beam to be focused.

The 34D is available with two trumpet options - see drawing below for details.

Our downlight fittings are suitable for use in a variety of different applications and are the ideal solution for the illumination of static objects within a display case or cabinet.



TECHNICAL INFORMATION

Lens	13mm & 18mm lenses
Focus range	30° - 60°
Material	Acetal
Finishes available	Black as standard
Flange size	ø16 & ø21
Weight	UFO34DA: 3.2g UFO34DB: 5.5g
Tilt	60°
Rotation	360°
Beam angles	UFO34DA: 20° - 30° UFO34DB: 55° - 60°
Mounting hole size	14mm
Ferrule size	Custom ferrule
Min. fibre size	1mm
Max. fibre size	3mm

ORDERING CODES

MODEL	MATERIAL	FINISH	FERRULE SIZE
UFO 34DA	Acetal ACE	Black BL	Custom CU
UFO 34DB			
UFO 34D			

